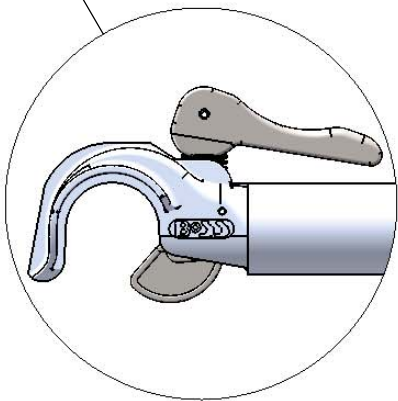
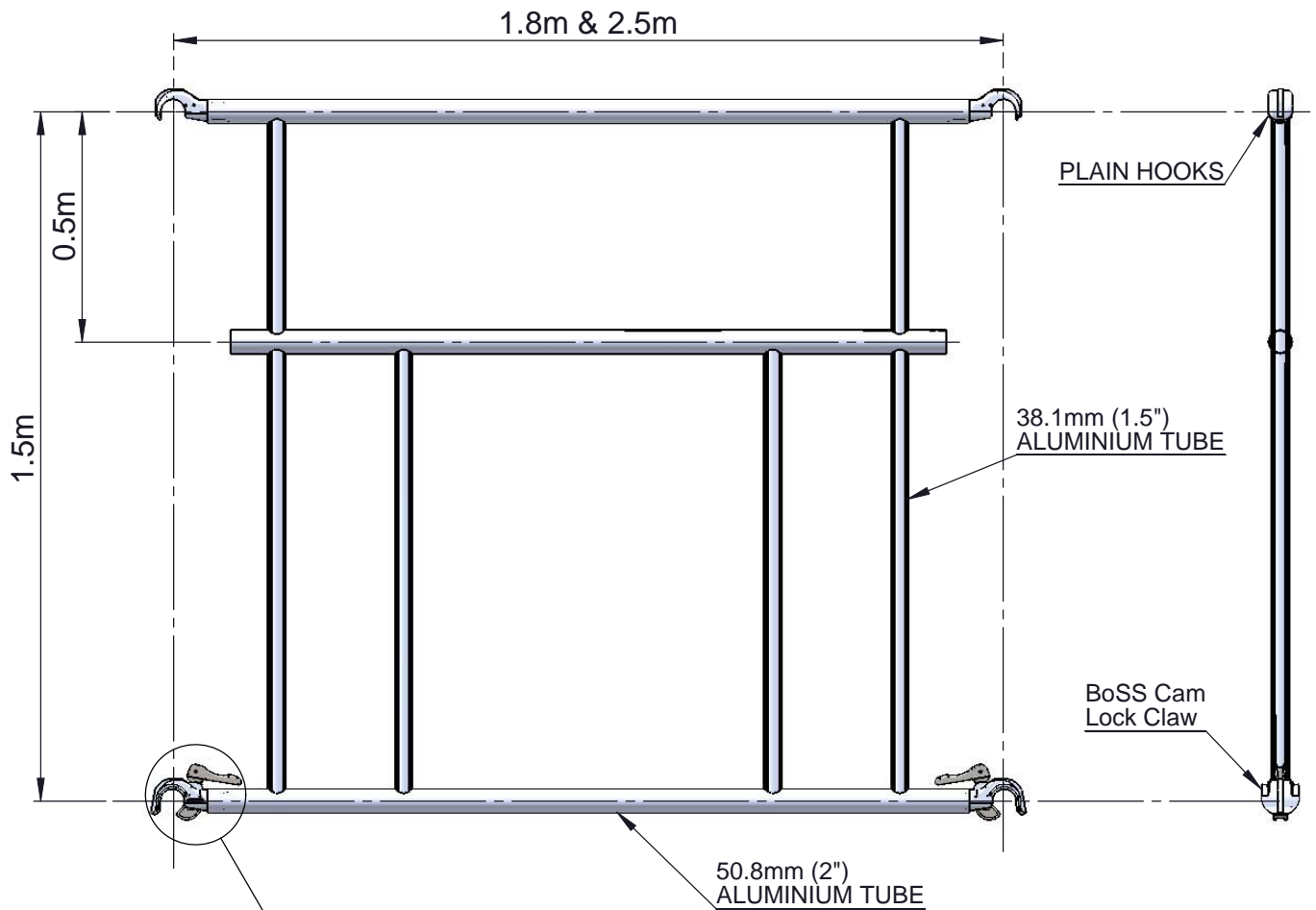


TECHNICAL SPECIFICATION



BoSS Cam Lock Claw

Patent Pending - UK 0919206.3
BoSS Cam Lock Claw

EN1004 Approved
BSI Kitemark Licence No: KM06038

PRODUCT CODE	DESCRIPTION	WEIGHT (kg)
363515	1.8m BoSS CAM LOCK AGR	8.0
363516	2.5m BoSS CAM LOCK AGR	9.3

QUANTITY SCHEDULES - CLIMA

Boss - Clima - Cam Lock AGR - 850mm Wide x 1.8m & 2.5m long

AGR BUILD		Internal or external use										Internal use only					
Component	Working Height (m)	4.2	4.7	5.7	6.2	6.7	7.7	8.2	8.7	9.7	10.2	10.7	11.7	12.2	12.7	13.7	14.2
	Platform Height (m)	2.2	2.7	3.7	4.2	4.7	5.7	6.2	6.7	7.7	8.2	8.7	9.7	10.2	10.7	11.7	12.2
Ø125mm/150mm/200mm Castor		4	4	4	4	4	4	4	4	4	4	4	4	4	4	4	4
Adjustable Leg		4	4	4	4	4	4	4	4	4	4	4	4	4	4	4	4
4 rung Span Frame (1.0m high x 0.85m wide)		2	0	2	2	0	2	2	0	2	2	0	2	2	0	2	2
6 rung Span Frame (1.5m high x 0.85m wide)		0	2	2	0	2	2	0	2	2	0	2	2	0	2	2	0
8 rung Span Frame (2.0m high x 0.85m wide)		2	2	2	4	4	4	6	6	6	6	8	8	10	10	10	12
1.8m / 2.5m Trap Door Deck		1	2	2	2	3	3	3	4	4	4	4	4	5	5	5	6
1.8m / 2.5m Horizontal Brace		2	2	2	2	2	2	2	2	2	2	2	2	2	2	2	2
2.1m / 2.7m Diagonal Brace		2	2	2	2	2	2	2	2	2	2	2	2	2	2	2	2
1.8m / 2.5m Side Toe Board		2	2	2	2	2	2	2	2	2	2	2	2	2	2	2	2
0.6m End Toe Board		2	2	2	2	2	2	2	2	2	2	2	2	2	2	2	2
Toe Board Holder		4	4	4	4	4	4	4	4	4	4	4	4	4	4	4	4
1.8m / 2.5m Cam Lock AGR		2	2	4	4	4	6	6	6	8	8	8	10	10	10	12	12
SP7		4	4	4	4	4											
SP10							4	4	4	4				4	4	4	4
SP15											4						
Total Self Weight of Tower (Kg) - 1.8m		112	130	154	158	176	212	216	234	258	276	279	303	307	325	349	353
Total Self Weight of Tower (Kg) - 2.5m		124	147	173	177	200	239	242	265	292	310	318	345	348	371	398	401

Boss - Clima - Cam Lock AGR - 1450mm Wide x 1.8m & 2.5m long

AGR BUILD		Internal or external use										Internal use only						
Component	Working Height (m)	4.2	4.7	5.7	6.2	6.7	7.7	8.2	8.7	9.7	10.2	10.7	11.2	11.7	12.2	12.7	13.7	14.2
	Platform Height (m)	2.2	2.7	3.7	4.2	4.7	5.7	6.2	6.7	7.7	8.2	8.7	9.2	9.7	10.2	10.7	11.7	12.2
Ø125mm/150mm/200mm Castor		4	4	4	4	4	4	4	4	4	4	4	4	4	4	4	4	
Adjustable Leg		4	4	4	4	4	4	4	4	4	4	4	4	4	4	4	4	
4 rung Span Frame (1.0m high x 1.45m wide)		2	0	2	2	0	2	2	0	2	2	0	2	2	0	2	2	
6 rung Span Frame (1.5m high x 1.45m wide)		0	2	2	0	2	2	0	2	2	0	2	2	0	2	2	0	
8 rung Span Frame (2.0m high x 1.45m wide)		2	2	2	4	4	4	6	6	6	8	8	10	8	10	10	12	
1.8m / 2.5m Trap Door Deck		1	1	2	2	2	3	3	3	4	4	4	5	5	5	6	6	
1.8m / 2.5m Fixed Deck		1	2	2	2	3	3	3	4	4	4	4	5	5	5	6	6	
1.8m / 2.5m Horizontal Brace		2	2	2	2	2	2	2	2	2	2	2	2	2	2	2	2	
2.1m / 2.7m Diagonal Brace		2	2	2	2	2	2	2	2	2	2	2	2	2	2	2	2	
1.8m / 2.5m Side Toe Board		2	2	2	2	2	2	2	2	2	2	2	2	2	2	2	2	
0.6m End Toe Board		2	2	2	2	2	2	2	2	2	2	2	2	2	2	2	2	
Toe Board Holder		4	4	4	4	4	4	4	4	4	4	4	4	4	4	4	4	
1.8m / 2.5m Cam Lock AGR		2	2	4	4	4	6	6	6	8	8	8	8	10	10	10	12	
SP7			4	4	4	4	4											
SP10							4	4	4	4				4	4	4	4	
SP15																		
Total Self Weight of Tower (Kg) - 1.8m		113	155	196	201	220	261	279	297	338	343	362	389	403	408	427	468	473
Total Self Weight of Tower (Kg) - 2.5m		130	177	226	231	255	303	321	345	393	398	422	456	471	475	499	548	553

QUANTITY SCHEDULES - LADDERSPAN

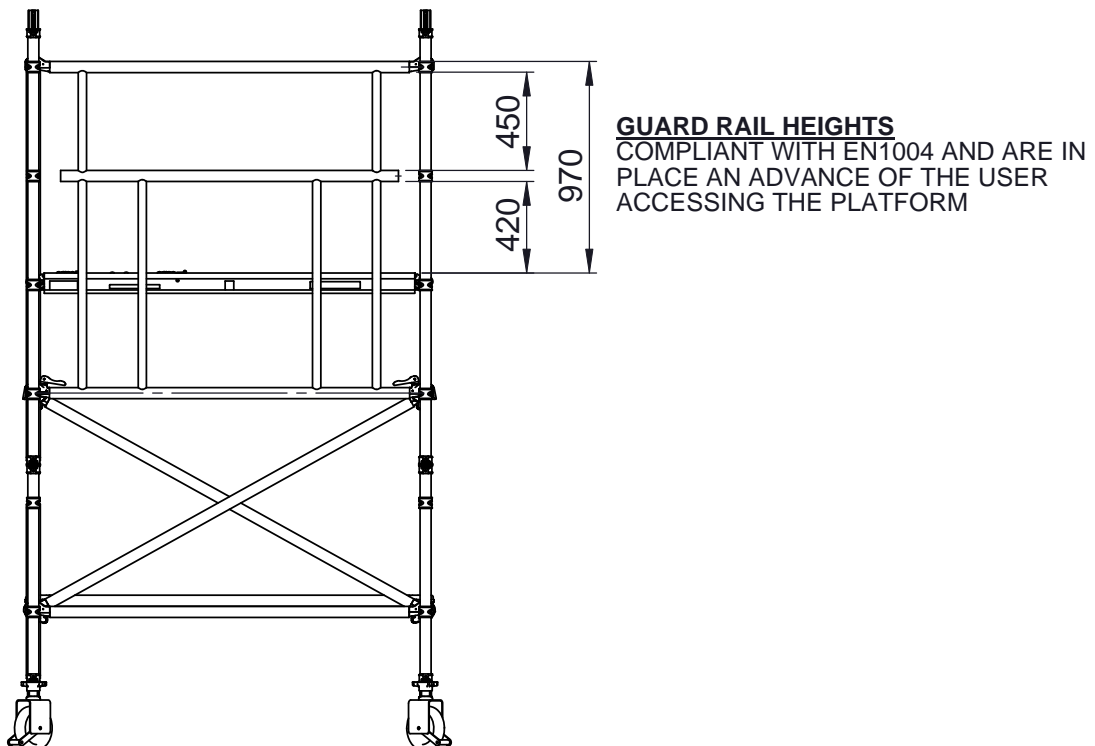
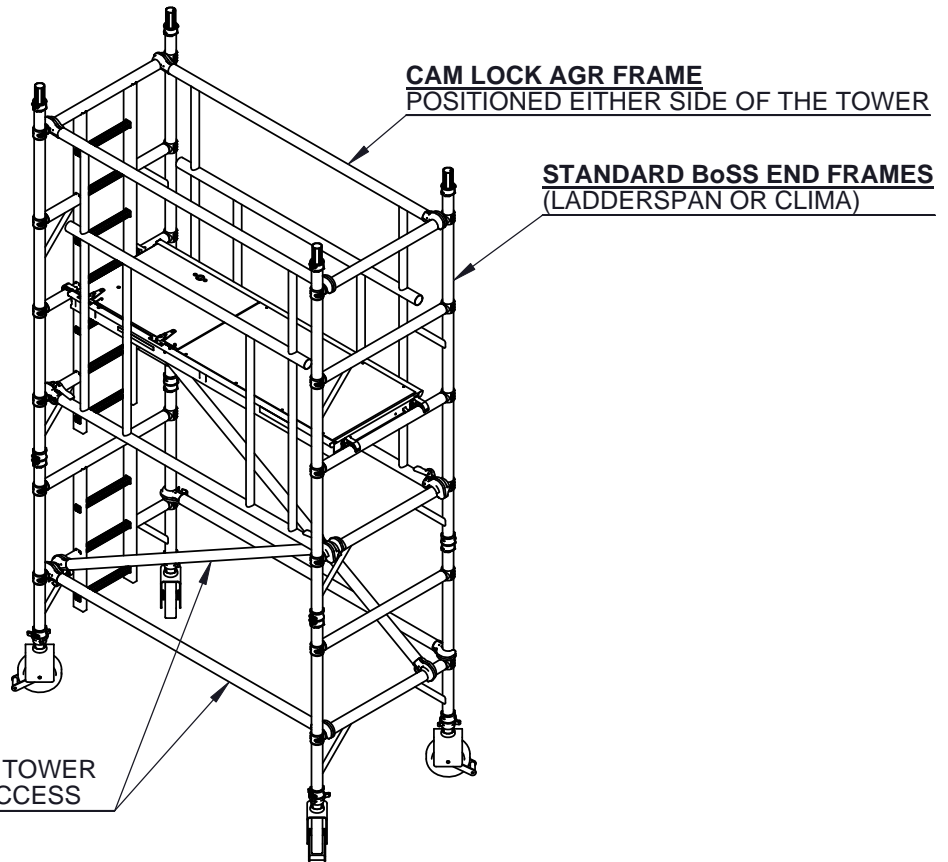
Boss - Ladderspan - Cam Lock AGR - 850mm Wide x 1.8m & 2.5m long

AGR BUILD		Internal or external use										Internal use only					
Component	Working Height (m)	4.2	4.7	5.7	6.2	6.7	7.7	8.2	8.7	9.7	10.2	10.7	11.7	12.2	12.7	13.7	14.2
	Platform Height (m)	2.2	2.7	3.7	4.2	4.7	5.7	6.2	6.7	7.7	8.2	8.7	9.7	10.2	10.7	11.7	12.2
Ø125mm/150mm/200mm Castor		4	4	4	4	4	4	4	4	4	4	4	4	4	4	4	4
Adjustable Leg		4	4	4	4	4	4	4	4	4	4	4	4	4	4	4	4
2 rung Ladder Frame (1.0m high x 0.85m wide)		1	0	1	1	0	1	1	0	1	1	0	1	1	0	1	1
2 rung Span Frame (1.0m high x 0.85m wide)		1	0	1	1	0	1	1	0	1	1	0	1	1	0	1	1
3 rung Ladder Frame (1.5m high x 0.85m wide)		0	1	1	0	1	1	0	1	1	0	1	1	0	1	1	0
3 rung Span Frame (1.5m high x 0.85m wide)		0	1	1	0	1	1	0	1	1	0	1	1	0	1	1	0
4 rung Ladder Frame (2.0m high x 0.85m wide)		1	1	1	2	2	2	3	3	3	4	4	4	5	5	5	6
4 rung Span Frame (2.0m high x 0.85m wide)		1	1	1	2	2	2	3	3	3	4	4	4	5	5	5	6
1.8m / 2.5m Trap Door Deck		1	2	2	2	3	3	3	4	4	4	4	5	5	5	6	6
1.8m / 2.5m Horizontal Brace		2	2	2	2	2	2	2	2	2	2	2	2	2	2	2	2
2.1m / 2.7m Diagonal Brace		2	2	2	2	2	2	2	2	2	2	2	2	2	2	2	2
1.8m / 2.5m Side Toe Board		2	2	2	2	2	2	2	2	2	2	2	2	2	2	2	2
0.6m End Toe Board		2	2	2	2	2	2	2	2	2	2	2	2	2	2	2	2
Toe Board Holder		4	4	4	4	4	4	4	4	4	4	4	4	4	4	4	4
1.8m / 2.5m Cam Lock AGR		2	2	4	4	4	6	6	6	8	8	8	10	10	10	12	12
SP7		4	4	4	4	4											
SP10							4	4	4	4		4	4	4	4	4	4
SP15											4						
Total Self Weight of Tower (Kg) - 1.8m		113	131	155	159	177	213	217	235	259	278	281	305	309	327	351	355
Total Self Weight of Tower (Kg) - 2.5m		124	147	174	178	200	240	244	266	293	311	320	347	350	373	400	404

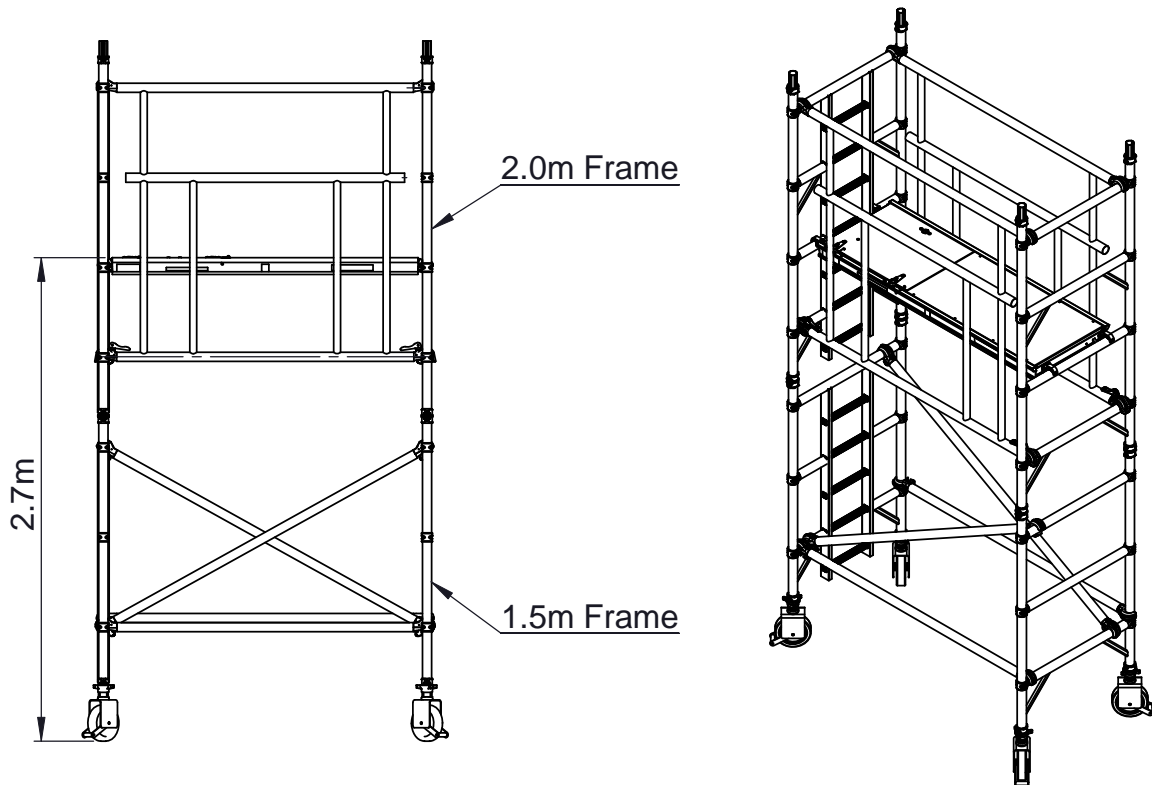
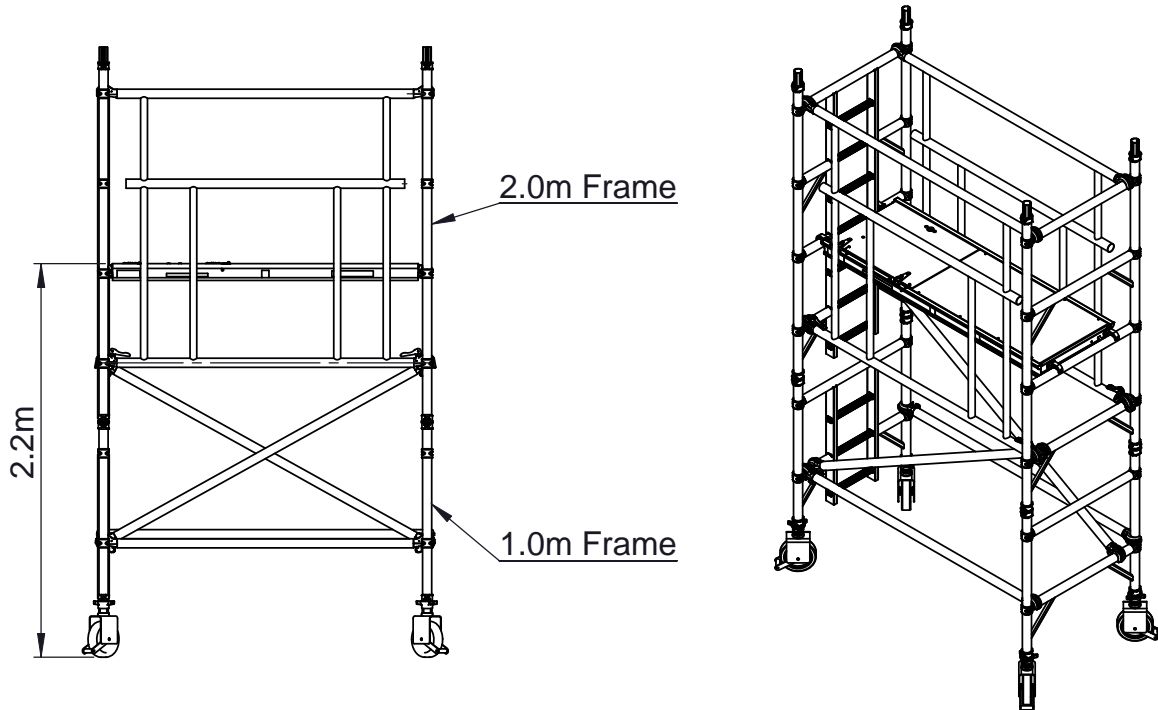
Boss - Ladderspan - Cam Lock AGR - 1450mm Wide x 1.8m & 2.5m long

AGR BUILD		Internal or external use										Internal use only					
Component	Working Height (m)	4.2	4.7	5.7	6.2	6.7	7.7	8.2	8.7	9.7	10.2	10.7	11.7	12.2	12.7	13.7	14.2
	Platform Height (m)	2.2	2.7	3.7	4.2	4.7	5.7	6.2	6.7	7.7	8.2	8.7	9.7	10.2	10.7	11.7	12.2
Ø125mm/150mm/200mm Castor		4	4	4	4	4	4	4	4	4	4	4	4	4	4	4	4
Adjustable Leg		4	4	4	4	4	4	4	4	4	4	4	4	4	4	4	4
2 rung Ladder Frame (1.0m high x 1.45m wide)		1	0	1	1	0	1	1	0	1	1	0	1	1	0	1	1
2 rung Span Frame (1.0m high x 1.45m wide)		1	0	1	1	0	1	1	0	1	1	0	1	1	0	1	1
3 rung Ladder Frame (1.5m high x 1.45m wide)		0	1	1	0	1	1	0	1	1	0	1	1	0	1	1	0
3 rung Span Frame (1.5m high x 1.45m wide)		0	1	1	0	1	1	0	1	1	0	1	1	0	1	1	0
4 rung Ladder Frame (2.0m high x 1.45m wide)		1	1	1	2	2	2	3	3	3	4	4	4	5	5	5	6
4 rung Span Frame (2.0m high x 1.45m wide)		1	1	1	2	2	2	3	3	3	4	4	4	5	5	5	6
1.8m / 2.5m Trap Door Deck		1	1	2	2	2	3	3	3	4	4	4	5	5	5	6	6
1.8m / 2.5m Fixed Deck		1	2	2	2	3	3	3	4	4	4	4	5	5	5	6	6
1.8m / 2.5m Horizontal Brace		2	2	2	2	2	2	2	2	2	2	2	2	2	2	2	2
2.1m / 2.7m Diagonal Brace		2	2	2	2	2	2	2	2	2	2	2	2	2	2	2	2
1.8m / 2.5m Side Toe Board		2	2	2	2	2	2	2	2	2	2	2	2	2	2	2	2
0.6m End Toe Board		2	2	2	2	2	2	2	2	2	2	2	2	2	2	2	2
Toe Board Holder		4	4	4	4	4	4	4	4	4	4	4	4	4	4	4	4
1.8m / 2.5m Cam Lock AGR		2	2	4	4	4	6	6	6	8	8	8	10	10	10	12	12
SP7			4	4	4	4											
SP10							4	4	4	4	4	4	4	4	4	4	4
SP15																	
Total Self Weight of Tower (Kg) - 1.8m		110	151	192	196	214	254	271	289	329	334	351	392	396	414	454	459
Total Self Weight of Tower (Kg) - 2.5m		127	173	221	226	248	296	313	336	384	389	411	459	464	487	534	539

AGR LAYOUT



TOWER BASE ASSEMBLY



TOWER BASE ASSEMBLY

